



5-7t
G SERIES LPG/DUAL FUEL
FORKLIFT

- > Fashion, sporty, modern design with streamline appearance.
- > Double suspension system reduced vibration and relieved driver's fatigue.
- > Full sealed cab and optimize design of engine accessory greatly reduced noise in ears and truck sound power level.
- > Dual cylinder design doubles endurance mileage , cylinder with spring booster bracket makes replacement more easier.
- > Interaction man-machine design improve driving comfortability ; wider vision lift system makes wider view.
- > Standard electric-hydraulic reversing system realizes light and easy operation, upgrade whole new gear shifting system avoids starting with second gear, improving transmission's reliability.
- > Wider internal space, logical accessory layout and maximum 80 degrees hood open angle make maintenance easier.
- > Applying CAE design for key parts like frame and mast ,greatly increase in strength ,make forklift more solid

HELI
LIFTING THE FUTURE



TOP1 FORKLIFT MANUFACTURER AND SELLER
IN CHINA FOR CONSECUTIVE 24 YEARS

Characteristics

1.01	Manufacturer		HELI		
1.02	Model		CP(Q)(Y)D50-TY1G	CP(Q)(Y)D60-TY1G	CP(Q)(Y)D70-TY1G
1.03	Load Capacity	kg	5000	6000	7000
1.04	Load Center	mm		600	
1.05	Power Type		Gasoline or LPG		
1.06	Driving style		Seated		

Tire

2.01	Front Tire / Rear Tire		8.25-15-14PR		
------	------------------------	--	--------------	--	--

Dimension Parameter

3.01	Lifting Height(standard)	H	mm	3000		
3.02	Mast Tilt(fwd/bwd)	α/β	deg	6/12		
3.03	Min.Turning Radius	r	mm	3240	3300	3370
3.04	Overall Length(with Forks)	L	mm	4710	4790	4840
3.05	Overall Width	W1	mm	2045		
3.06	Overall Height(mast without activity)	H4	mm	2450		
3.07	Wheel Base	L1	mm	2300	2300	2300
3.08	Tread(fwd/bwd)	W3/W2	mm	1520/1700	1520/1700	1520/1700
3.09	Overhang(fwd/bwd)	L2/L3	mm	590/600	595/675	600/720
3.10	Min.Under clearance	H5	mm	200		
3.11	Lateral Fork Adjustment(Outside of Forks)	W5	mm	300-1835		
3.12	Fork Length	L4	mm	1220		
3.13	Fork Width/Thickness	W/T	mm	55/150	60/150	65/150

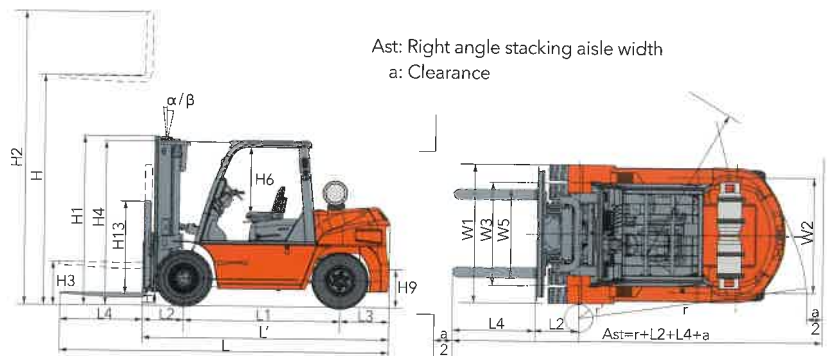
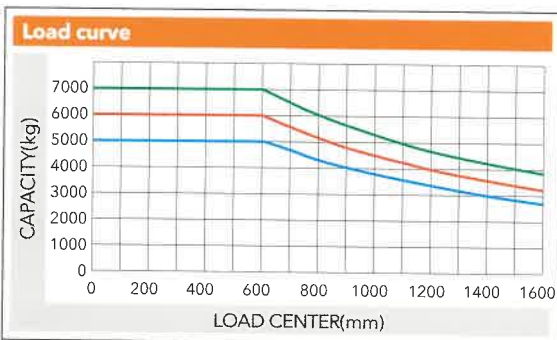
Performance Parameter

4.01	Lifting Speed(Loaded/Unloaded)	mm/s	390/410	390/410	390/410
4.02	Lowing Speed	mm/s	WITHOUT LOAD \geq 300 WITH FULL LOAD \leq 600		
4.03	Traveling Speed(Loaded/Unloaded)	km/h	26/30	26/30	26/30
4.04	Max.Gradeability(Loaded/Unloaded)	%	38/19	35/19	31/19

Engine and Gearbox

5.01	Engine Manufacturer/Model		Non-certified GM4.3		
5.02	Cyl. Number	/L	6		
5.03	Displacement	Kw/rpm	4.3		
5.04	Rated Power/Rated Speed	Nm/rpm	76/2300		
5.05	Max. Torque/Rated Speed		324/1700		
5.06	Gearbox		Intelligent gear shifting		

CP(Q)(Y)D50 CP(Q)(Y)D60 CP(Q)(Y)D70



ANHUI HELI CO., LTD.

ADD: NO.668 Fangxing Street, Economical Development Zone, Hefei, P.R.China
 TEL : (86 551) 63639068, 63639258, 63639358, 63662105
 FAX : (86 551) 63639966
 WEBSITE : <http://www.helichina.net>
 Email : heli@helichina.net

* Details of specifications and equipment are based on information available at time of printing and may change without notice.

AUTHORIZED DEALER